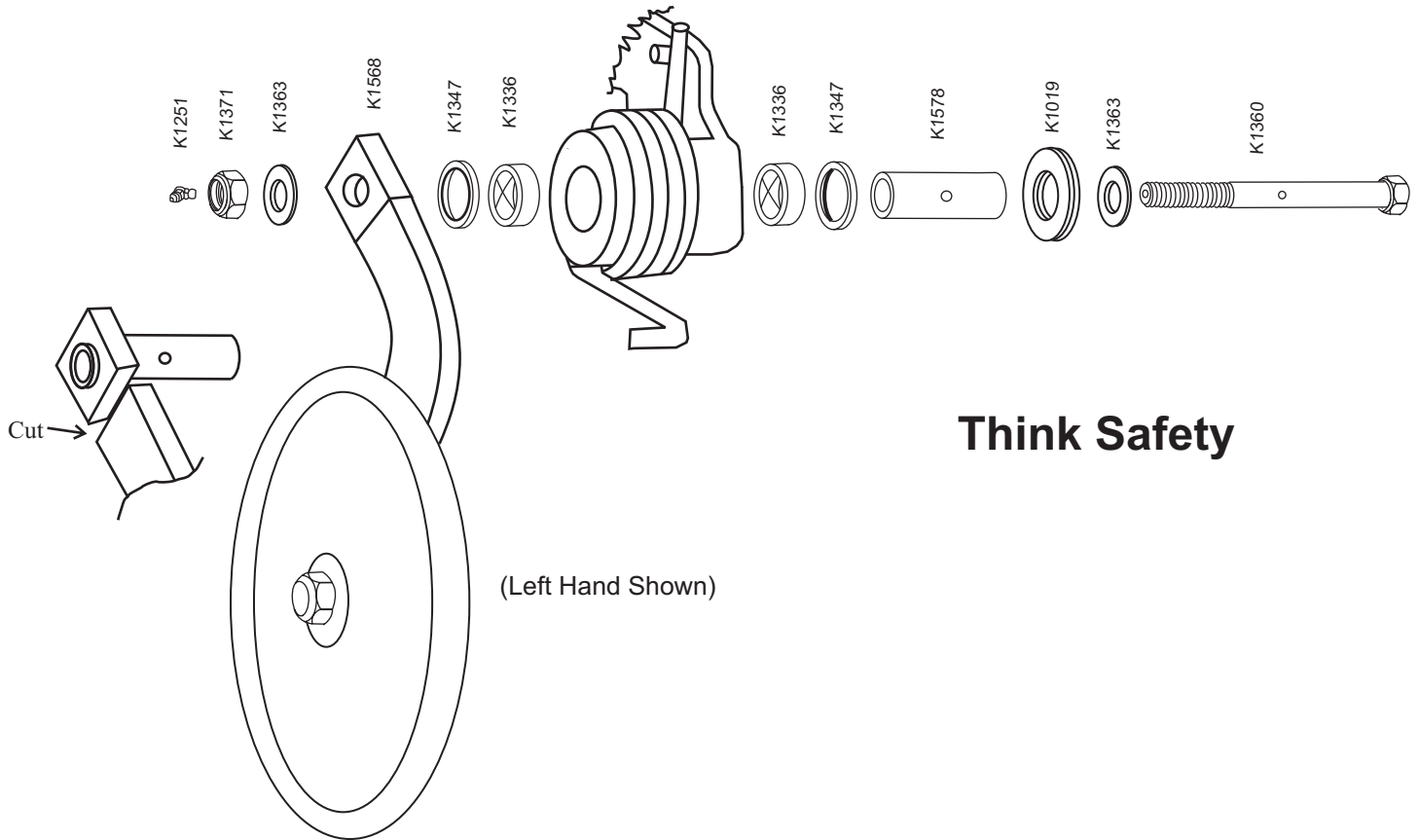


INSTRUCTIONS FOR INSTALLING THE R K P PRESS WHEEL PIVOT KIT ON JOHN DEERE 750 (3835+) AND 1850 DRILLS CONVERTING FROM WELDED PIN TO BOLTED.

Before working on your drill review the safety section in your operators manual.



Think Safety

REMOVAL

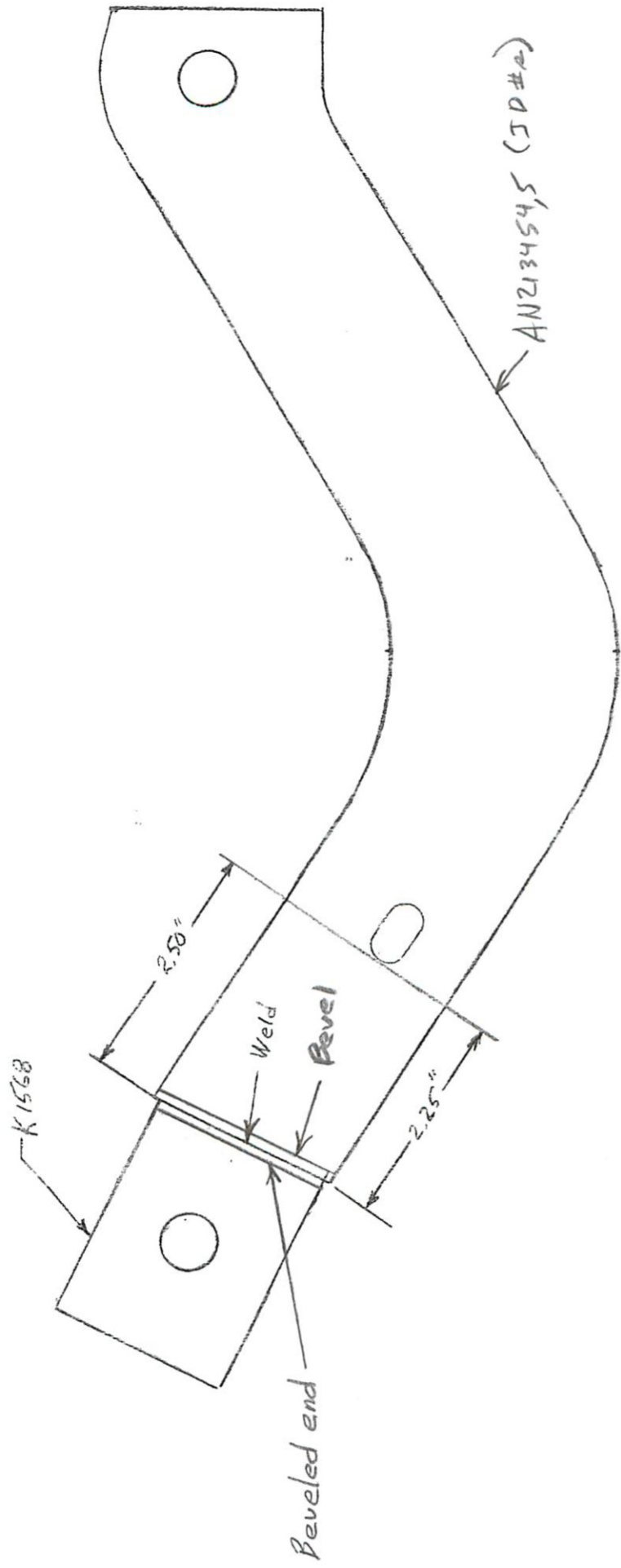
1. Remove arm. Cut off end of arm with welded pin. **Refer to AIX-1288.** Weld replacement end to arm. Remove old sleeve bearings. Remove dirt from bore of bearing housing.

INSTALL SLEEVE BEARINGS AND SEALS

2. Install new grooved sleeve bearings. Outer end of bearings should be 1/4" inside of end of bearing housing. Note that a pilot bushing is available from RKP to facilitate installation of the sleeve bearings and seals.
3. If a grease zerk which was previously installed in the bearing housing is to be used it may be necessary to drill a small hole (approximately 1/8") through the sleeve bearing in line with the tapped hole in the bearing housing.
4. Install seals with **lip outward**. **Grease must be able to pass through the seal.** Press seals into bearing housing until flush.

ASSEMBLY

6. Apply grease to lips of seals and to one end of pivot bushing (E). Install pivot bushing into bearing housing being careful not to damage seals.
7. Install washer onto bolt. Install adjusting washers as required to reduce end play. (None may be required.) Install bolt through pivot bushing.
8. Install arm with second washer and a regular 5/8" nut then tighten.
9. When you are satisfied with the installation replace regular nut with locknut then tighten to 105 ft lbs.
10. Install grease zerk. Note that the zerk can be directed to improve accessibility. Loosen nut and rotate bolt if necessary to redirect the zerk.
11. Grease the pivot. A 50 hour interval thereafter is recommended.



AN2134545 (JD#e)

2. One end of K1568 is beveled for a better weld.
3. Bevel the end of the arm similarly.
4. Clamp parts to be welded to a heavy straight bar.
5. Weld.

Press Wheel Arm Modified